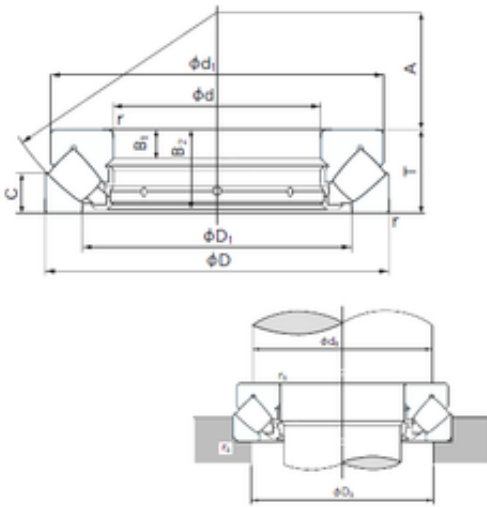




NTN Driveshaft CORP.

420 mm x 730 mm x 67 mm NACHI 29484E thrust roller bearings

Bearing No. 29484E



29484E Bearing 2D drawings and 3D CAD models

Size	420x730x185 mm
Bore Diameter	420 mm
Outer Diameter	730 mm
Width	185 mm
d	420 mm
D	730 mm
T	185 mm
d1	700 mm
r min.	7.5 mm
A	244 mm
B1	67 mm
B2	178 mm
C	89 mm
D1	556 mm
da min.	560 mm
Da max.	630 mm
ra max.	6 mm
Weight	325 Kg
Basic dynamic load rating (C)	6050 kN
Basic static load rating (C0)	26000 kN
Bore Type	Cylindrical Bore
Enclosure	Open
Configuration	Single Row
Bore Size	420 mm
Outside Diameter	730 mm



NTN Driveshaft CORP.

Fillet Radius/Chamfer	7.5 mm
Width	185 mm
Dynamic Load Rating	6,050,000 N
Static Load Rating	26,000,000 N
Limiting Speed - Oil	360 rpm
B	67 mm
da (min)	560 mm
Da (max)	630 mm
ra (max)	6 mm