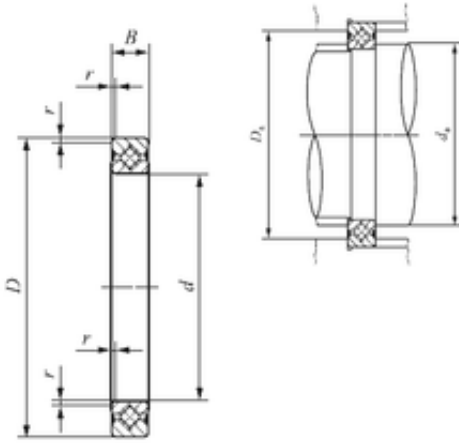




## NTN Driveshaft CORP.

### 200 mm x 226 mm x 13 mm IKO CRBS 20013 A UU thrust roller bearings

Bearing No. CRBS 20013 A UU



CRBS 20013 A UU Bearing 2D drawings and 3D CAD models

Size	200x226x13 mm
Bore Diameter	200 mm
Outer Diameter	226 mm
Width	13 mm
d	200 mm
D	226 mm
B	13 mm
r min.	0.6 mm
Da	219 mm
da	206 mm
Weight	0,78 Kg
Basic dynamic load rating (C)	23,3 kN