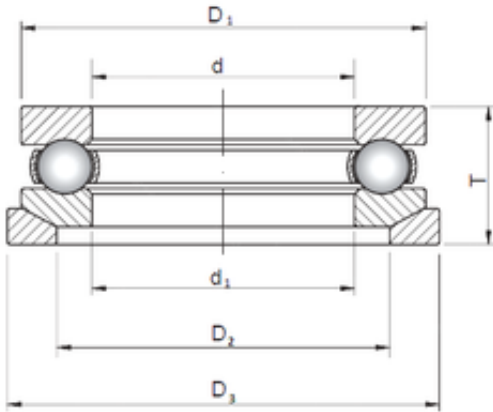




NTN Driveshaft CORP.

ISO 53340U+U340 thrust ball bearings

Bearing No. 53340U+U340



Bore Diameter	200 mm
Outer Diameter	335 mm
d	200 mm
d1	205 mm
D	335 mm
D1	340 mm
T	130 mm
D2	270 mm
D3	350 mm

53340U+U340 Bearing 2D drawings and 3D CAD models