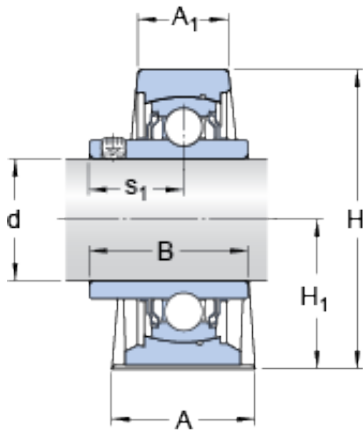




NTN Driveshaft CORP.



SY 1.3/16 TF/VA228 Bearing 2D drawings and 3D CAD models

SKF SY 1.3/16 TF/VA228 bearing units

Bearing No. SY 1.3/16 TF/VA228

Size	40x30.163x29 mm
Bore Diameter	40 mm
Outer Diameter	30,163 mm
Width	29 mm
d	30.163 mm
A	40 mm
A ₁	29 mm
H	82 mm
H ₁	42.9 mm
H ₂	16.5 mm
L	152 mm
J	117.5 mm
H	23.5 mm
N ₁	14 mm
B	38.1 mm
s ₁	22.2 mm
Basic dynamic load rating - C	19.5 kN
Basic static load rating - C ₀	11.2 kN
Limiting speed	190 r/min
Limiting temperature - T	350 ° C
Mass bearing unit	1.13 kg
Grub (set) screw - G ₂ - 1/4-28 UNF	1/428 UNF
Hexagonal key size for grub screw - H	3.175 mm



NTN Driveshaft CORP.

Recommended tightening torque for grub screw	4 N · m
Category	Pillow Block Bearings
Inventory	0.0
Manufacturer Name	SKF
Minimum Buy Quantity	N/A
Weight / Kilogram	1.113
EAN	7316571381091
Product Group	M06110
Number of Mounting Holes	2
Mounting Method	Set Screw
Housing Style	2 Bolt Pillow Block
Rolling Element	Ball Bearing
Housing Material	Cast Iron
Expansion / Non-expansion	Non-expansion
Mounting Bolts	1/2 Inch
Relubricatable	Yes
Insert Part Number	YAR 206-103-2F/VA228
Seals	M Seal
Housing Configuration	1 Piece Solid
Inch - Metric	Inch
Other Features	Single Row Standard Duty Wide Inner Race High Temperature Bearing with Graphite Has Flinger Y Bearing
Long Description	2 Bolt Pillow Block; 1-3/16" Bore; 1-11/16" Base to Center Height; Set Screw Mount; Ball Bearing; 4-1/4" Minimum Bolt Spacing; 5" Bolt Spacing Maximum; Relubricatable; Cast Iron; M
Category	Pillow Block
UNSPSC	31171511
Harmonized Tariff Code	8483.20.40.40



NTN Driveshaft CORP.

Noun	Bearing
Keyword String	Pillow Block
Manufacturer URL	http://www.skf.com
Manufacturer Item Number	SY 1.3/16 TF/VA228
Weight / LBS	2.9
Bolt Spacing Minimum	4.25 Inch 107.95Millimeter
Bore	1.188 Inch 30.175 Millimeter
Base to Center Height	1.688 Inch 42.875 Millimeter
Bolt Spacing Maximum	5 Inch 127Millimeter
Nominal Bolt Center to Center	4.8 Inch 121 Millimeter
Length Thru Bore	1.5 Inch 38.1 Millimeter
Actual Bolt Center to Center	0 Inch 0Millimeter
A ₁	29 mm
H ₁	42.9 mm
H ₂	16.5 mm
N	23.5 mm
N ₁	14 mm
Attachment bolts, recommended metric size G	12 mm