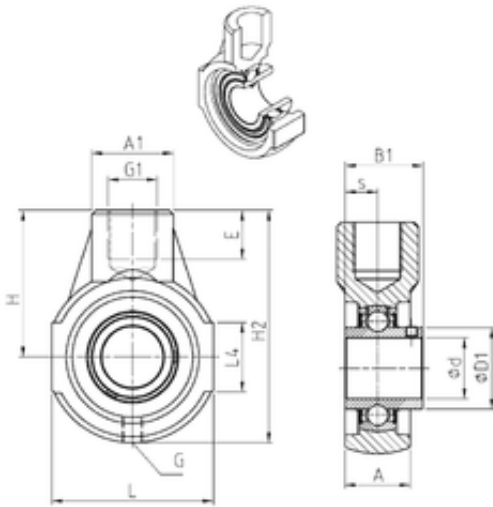




NTN Driveshaft CORP.

SNR UCEHE208 bearing units

Bearing No. UCEHE208



UCEHE208 Bearing 2D drawings and 3D CAD models

Bore Diameter	40 mm
d	40 mm
L4	45 mm
s	19 mm
A	36 mm
A1	40 mm
B1	49,2 mm
D1	53 mm
E	24 mm
G1	M24 mm
H	85 mm
H2	135 mm
L	100 mm
Thread (G)	R1/8"
Weight	1,8 Kg
Basic dynamic load rating (C)	29,6 kN