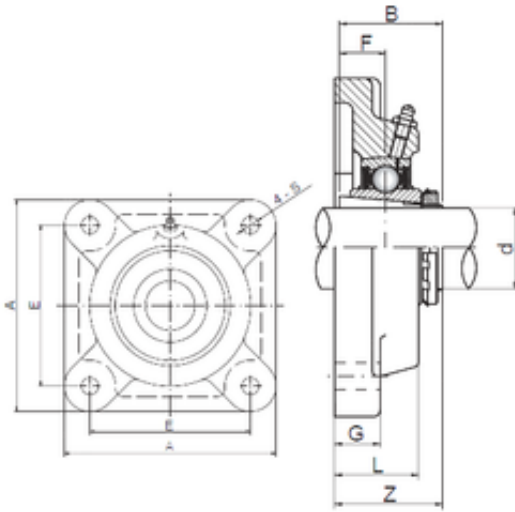




NTN Driveshaft CORP.

ISO UKF209 bearing units

Bearing No. UKF209



| | |
|---------------|---------|
| Bore Diameter | 40 mm |
| Width | 50 mm |
| d | 40 mm |
| Z | 48,5 mm |
| A | 137 mm |
| B | 50 mm |
| E | 105 mm |
| F | 22 mm |
| G | 18 mm |
| L | 38 mm |
| S | 16 mm |
| Bolt (G) | M14 |

UKF209 Bearing 2D drawings and 3D CAD models