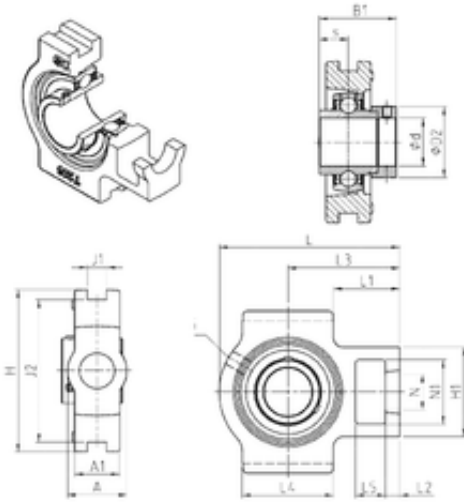




NTN Driveshaft CORP.



SNR EXT215 bearing units

Bearing No. EXT215

Bore Diameter	75 mm
d	75 mm
L4	121 mm
L5	32 mm
L2	21 mm
L3	140 mm
s	37,3 mm
A	70 mm
A1	48 mm
B1	92,1 mm
D2	102 mm
H	167 mm
H1	111 mm
L	232 mm
L1	79,5 mm
N	41 mm
N1	70 mm
Thread (G)	M10x1
J1	26 mm
J2	151 mm
Weight	7,9 Kg
Basic dynamic load rating (C)	66 kN
A2	48 mm
B	74.6 mm
A5	37.3 mm
d1	102 mm

EXT215 Bearing 2D drawings and 3D CAD models



NTN Driveshaft CORP.

G	M10x1
H2	111 mm
N2	70 mm
s1	61.2 mm
S	37.3 mm
SW	5 mm
C	66 kN
C0	49.5 kN
T min.	-20 ° C
T max.	100 ° C
Recommended tightening torque for set screw	22 Nm
Designation of housing	T215-
Designation of bearing	EX215G2