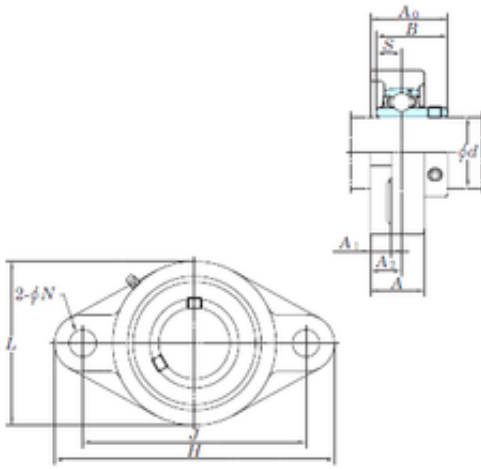




# NTN Driveshaft CORP.

## KOYO UCFL217 bearing units

Bearing No. UCFL217



UCFL217 Bearing 2D drawings and 3D CAD models

|                               |         |
|-------------------------------|---------|
| Bore Diameter                 | 85 mm   |
| d                             | 85 mm   |
| A0                            | 87,6 mm |
| A                             | 63 mm   |
| A1                            | 22 mm   |
| B                             | 85,7 mm |
| H                             | 305 mm  |
| J                             | 248 mm  |
| L                             | 190 mm  |
| N                             | 25 mm   |
| S                             | 34,1 mm |
| A2                            | 36 mm   |
| Weight                        | 9,8 Kg  |
| Basic static load rating (C0) | 84 kN   |
| Bearing No.                   | UCFL217 |
| Bolt size                     | M22     |
| Cr                            | 84.0    |
| C0r                           | 61.9    |
| f0                            | 14.5    |
| (Refer.)Unit mass(kg)         | 9.8     |
| Nipple size                   | R1/8    |