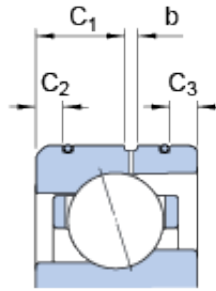
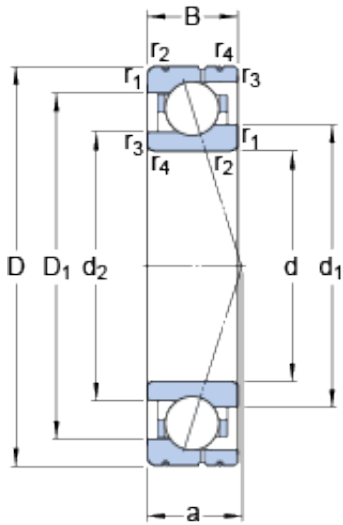




# NTN Driveshaft CORP.



## 55 mm x 80 mm x 13 mm SKF 71911 ACE/P4AL angular contact ball bearings

Bearing No. 71911 ACE/P4AL

71911 ACE/P4AL Bearing 2D drawings and 3D CAD models

Size	80x55x13 mm
Bore Diameter	80 mm
Outer Diameter	55 mm
Width	13 mm
d	55 mm
D	80 mm
B	13 mm
d <sub>1</sub>	62.75 mm
d <sub>2</sub>	60.7 mm
D <sub>1</sub>	72.3 mm
b	2.2 mm
C <sub>1</sub>	6.5 mm
C <sub>2</sub>	2.5 mm
C <sub>3</sub>	2 mm
r <sub>1,2</sub> - min.	1 mm
r <sub>3,4</sub> - min.	0.3 mm
a	23.5 mm
d <sub>a</sub> - min.	59.6 mm
d <sub>b</sub> - min.	57 mm
D <sub>a</sub> - max.	75.4 mm
D <sub>b</sub> - max.	78 mm
r <sub>a</sub> - max.	1 mm
r <sub>b</sub> - max.	0.3 mm
d <sub>n</sub>	64.6 mm



## NTN Driveshaft CORP.

Basic dynamic load rating - C	14.6 kN
Basic static load rating - C <sub>0</sub>	10.2 kN
Fatigue load limit - P <sub>u</sub>	0.43 kN
Limiting speed for grease lubrication	21000 r/min
Limiting speed for oil lubrication	32000 mm/min
Ball - D <sub>w</sub>	7.938 mm
Ball - z	21
G <sub>ref</sub>	2.3 cm <sup>3</sup>
Calculation factor - e	0.68
Calculation factor - Y <sub>2</sub>	0.87
Calculation factor - Y <sub>0</sub>	0.38
Calculation factor - X <sub>2</sub>	0.41
Calculation factor - Y <sub>1</sub>	0.92
Calculation factor - Y <sub>2</sub>	1.41
Calculation factor - Y <sub>0</sub>	0.76
Calculation factor - X <sub>2</sub>	0.67
Preload class A - G <sub>A</sub>	133 N
Preload class B - G <sub>B</sub>	400 N
Preload class C - G <sub>C</sub>	800 N
Calculation factor - f	1.16
Calculation factor - f <sub>1</sub>	0.99
Calculation factor - f <sub>2A</sub>	1
Calculation factor - f <sub>2B</sub>	1.04
Calculation factor - f <sub>2C</sub>	1.07
Calculation factor - f <sub>HC</sub>	1
Preload class A	105 N/micron
Preload class B	160 N/micron



## NTN Driveshaft CORP.

Preload class C	210 N/micron
$d_1$	62.75 mm
$d_2$	60.7 mm
$D_1$	72.3 mm
$C_1$	6.5 mm
$C_2$	2.5 mm
$C_3$	2 mm
$r_{1,2}$ min.	1 mm
$r_{3,4}$ min.	0.3 mm
$d_a$ min.	59.6 mm
$d_b$ min.	57 mm
$D_a$ max.	75.4 mm
$D_b$ max.	78 mm
$r_a$ max.	1 mm
$r_b$ max.	0.3 mm
$d_n$	64.6 mm
Basic dynamic load rating C	14.6 kN
Basic static load rating $C_0$	10.2 kN
Fatigue load limit $P_u$	0.43 kN
Attainable speed for grease lubrication	21000 r/min
Attainable speed for oil-air lubrication	32000 r/min
Ball diameter $D_w$	7.938 mm
Number of balls z	21
Reference grease quantity $G_{ref}$	2.3 cm <sup>3</sup>
Preload class A $G_A$	133 N
Static axial stiffness, preload class A	105 N/ $\mu$ m
Preload class B $G_B$	400 N
Static axial stiffness, preload class B	160 N/ $\mu$ m
Preload class C $G_C$	800 N



## NTN Driveshaft CORP.

Static axial stiffness, preload class C	210 N/ $\mu$ m
Calculation factor f	1.16
Calculation factor $f_1$	0.99
Calculation factor $f_{2A}$	1
Calculation factor $f_{2B}$	1.04
Calculation factor $f_{2C}$	1.07
Calculation factor $f_{HC}$	1
Calculation factor e	0.68
Calculation factor (single, tandem) $Y_2$	0.87
Calculation factor (single, tandem) $Y_0$	0.38
Calculation factor (single, tandem) $X_2$	0.41
Calculation factor (back-to-back, face-to-face) $Y_1$	0.92
Calculation factor (back-to-back, face-to-face) $Y_2$	1.41
Calculation factor (back-to-back, face-to-face) $Y_0$	0.76
Calculation factor (back-to-back, face-to-face) $X_2$	0.67
Mass bearing	0.17 kg